

BHA系列小型断路器 4.5kA

适用范围及功能:

适用于民用、工业及商业建筑配电系统
用于保护及控制电路, 避免电气设备及线路受过载和短路故障影响

型号及其含义:

BHA	2	2	C	32
型号	额定短路分断能力 (kA) 230/400V	极数 (P)	脱扣特性	额定电流In (A)
BHA	4.5	1,2,3,4	C,D	1,2,3,4,5,6,10,16, 20,25,32,40,50,63

符合标准: IEC 60898/GB 10963

技术参数:

额定电压: AC230/400V

额定电流: 1-63A

额定短路分断能力: 4500A

脱扣特性: C型, 瞬时脱扣电流5~10In

D型, 瞬时脱扣电流10~15In

机械寿命: 20,000次

接线能力: 软线 16mm² / 硬线 25 mm²

环境温度: -5℃~+40℃

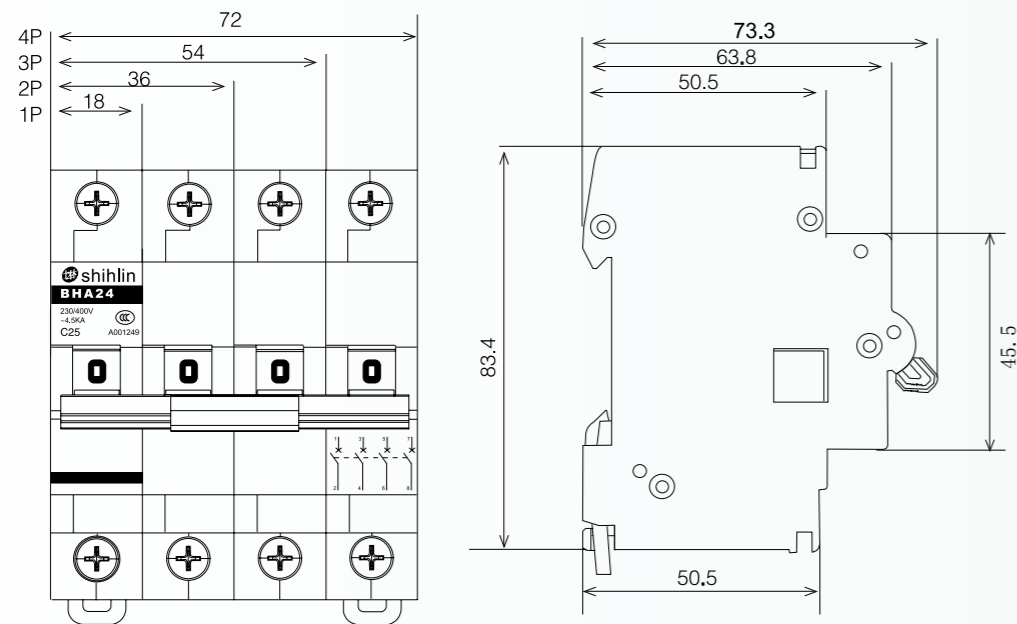
产品特点:

保护功能齐全——具有过载及短路保护装置

功能扩展简便——可与分励脱扣、欠压脱扣、过压脱扣、辅助触点、报警触点等电气附件组合使用, 扩大断路器的控制功能

组合安装简便——模块化结构设计, TH35mm标准安装轨安装, 可免工具安装拆除

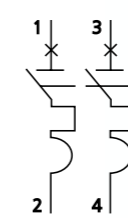
外型尺寸:



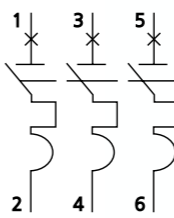
产品型号



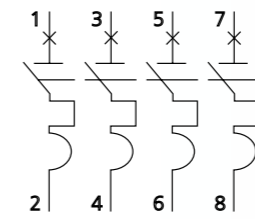
类型	额定电流 A	宽度 mm	重量 g	产品型号	
				C曲线	D曲线
1P	1	18	113	BHA21C1	BHA21D1
	2	18	113	BHA21C2	BHA21D2
	3	18	113	BHA21C3	BHA21D3
	4	18	113	BHA21C4	BHA21D4
	5	18	113	BHA21C5	BHA21D5
	6	18	113	BHA21C6	BHA21D6
	10	18	113	BHA21C10	BHA21D10
	16	18	113	BHA21C16	BHA21D16
	20	18	113	BHA21C20	BHA21D20
	25	18	113	BHA21C25	BHA21D25
	32	18	113	BHA21C32	BHA21D32
	40	18	113	BHA21C40	BHA21D40
	50	18	113	BHA21C50	BHA21D50
63	18	113	BHA21C63	BHA21D63	



2P	1	36	228	BHA22C1	BHA22D1
	2	36	228	BHA22C2	BHA22D2
	3	36	228	BHA22C3	BHA22D3
	4	36	228	BHA22C4	BHA22D4
	5	36	228	BHA22C5	BHA22D5
	6	36	228	BHA22C6	BHA22D6
	10	36	228	BHA22C10	BHA22D10
	16	36	228	BHA22C16	BHA22D16
	20	36	228	BHA22C20	BHA22D20
	25	36	228	BHA22C25	BHA22D25
	32	36	228	BHA22C32	BHA22D32
	40	36	228	BHA22C40	BHA22D40
	50	36	228	BHA22C50	BHA22D50
63	36	228	BHA22C63	BHA22D63	



3P	1	54	341	BHA23C1	BHA23D1
	2	54	341	BHA23C2	BHA23D2
	3	54	341	BHA23C3	BHA23D3
	4	54	341	BHA23C4	BHA23D4
	5	54	341	BHA23C5	BHA23D5
	6	54	341	BHA23C6	BHA23D6
	10	54	341	BHA23C10	BHA23D10
	16	54	341	BHA23C16	BHA23D16
	20	54	341	BHA23C20	BHA23D20
	25	54	341	BHA23C25	BHA23D25
	32	54	341	BHA23C32	BHA23D32
	40	54	341	BHA23C40	BHA23D40
	50	54	341	BHA23C50	BHA23D50
63	54	341	BHA23C63	BHA23D63	



4P	1	72	456	BHA24C1	BHA24D1
	2	72	456	BHA24C2	BHA24D2
	3	72	456	BHA24C3	BHA24D3
	4	72	456	BHA24C4	BHA24D4
	5	72	456	BHA24C5	BHA24D5
	6	72	456	BHA24C6	BHA24D6
	10	72	456	BHA24C10	BHA24D10
	16	72	456	BHA24C16	BHA24D16
	20	72	456	BHA24C20	BHA24D20
	25	72	456	BHA24C25	BHA24D25
	32	72	456	BHA24C32	BHA24D32
	40	72	456	BHA24C40	BHA24D40
	50	72	456	BHA24C50	BHA24D50
63	72	456	BHA24C63	BHA24D63	

BHA系列小型断路器 6kA

适用范围及功能:

适用于民用、工业及商业建筑配电系统
用于保护及控制电路，避免电气设备及线路受过载和短路故障影响

型号及其含义:

BHA	3	2	C	32
型号	额定短路分断能力 (kA)	极数 (P)	脱扣特性	额定电流In (A)
BHA	6	1,2,3,4	C,D	1,2,3,4,5,6,10,16,20,25,32,40,50,63
	230/400V			

符合标准: IEC 60898/GB 10963

技术参数:

额定电压: AC230/400V

额定电流: 1~63A

额定短路分断能力: 6000A

脱扣特性: C型, 瞬时脱扣电流5~10In

D型, 瞬时脱扣电流10~15In

机械寿命: 20,000次

接线能力: 软线 16mm² / 硬线 25 mm²

环境温度: -5℃~+40℃

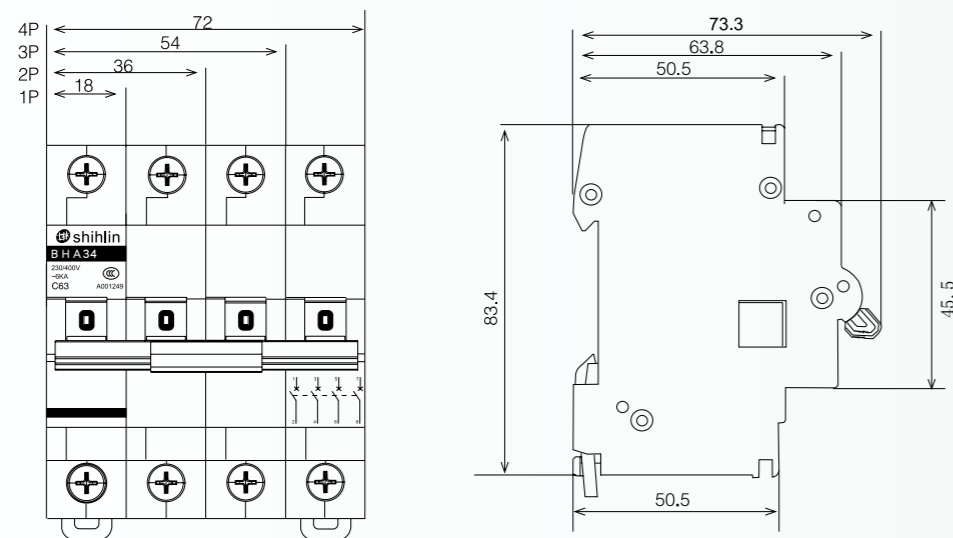
产品特点:

保护功能齐全——具有过载及短路保护装置

功能扩展简便——可与分励脱扣、欠压脱扣、过压脱扣、辅助触点、报警触点等电气附件组合使用，扩大断路器的控制功能

组合安装简便——模数化结构设计，TH35mm标准安装轨安装，可免工具安装拆除

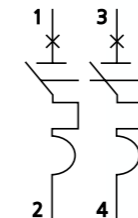
外型尺寸:



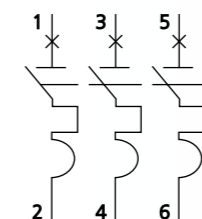
产品型号



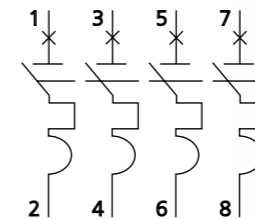
类型	额定电流 A	宽度 mm	重量 g	产品型号	
				C曲线	D曲线
1P	1	18	113	BHA31C1	BHA31D1
	2	18	113	BHA31C2	BHA31D2
	3	18	113	BHA31C3	BHA31D3
	4	18	113	BHA31C4	BHA31D4
	5	18	113	BHA31C5	BHA31D5
	6	18	113	BHA31C6	BHA31D6
	10	18	113	BHA31C10	BHA31D10
	16	18	113	BHA31C16	BHA31D16
	20	18	113	BHA31C20	BHA31D20
	25	18	113	BHA31C25	BHA31D25
	32	18	113	BHA31C32	BHA31D32
	40	18	113	BHA31C40	BHA31D40
	50	18	113	BHA31C50	BHA31D50
63	18	113	BHA31C63	BHA31D63	



2P	1	36	228	BHA32C1	BHA32D1
	2	36	228	BHA32C2	BHA32D2
	3	36	228	BHA32C3	BHA32D3
	4	36	228	BHA32C4	BHA32D4
	5	36	228	BHA32C5	BHA32D5
	6	36	228	BHA32C6	BHA32D6
	10	36	228	BHA32C10	BHA32D10
	16	36	228	BHA32C16	BHA32D16
	20	36	228	BHA32C20	BHA32D20
	25	36	228	BHA32C25	BHA32D25
	32	36	228	BHA32C32	BHA32D32
	40	36	228	BHA32C40	BHA32D40
	50	36	228	BHA32C50	BHA32D50
63	36	228	BHA32C63	BHA32D63	



3P	1	54	341	BHA33C1	BHA33D1
	2	54	341	BHA33C2	BHA33D2
	3	54	341	BHA33C3	BHA33D3
	4	54	341	BHA33C4	BHA33D4
	5	54	341	BHA33C5	BHA33D5
	6	54	341	BHA33C6	BHA33D6
	10	54	341	BHA33C10	BHA33D10
	16	54	341	BHA33C16	BHA33D16
	20	54	341	BHA33C20	BHA33D20
	25	54	341	BHA33C25	BHA33D25
	32	54	341	BHA33C32	BHA33D32
	40	54	341	BHA33C40	BHA33D40
	50	54	341	BHA33C50	BHA33D50
63	54	341	BHA33C63	BHA33D63	



4P	1	72	456	BHA34C1	BHA34D1
	2	72	456	BHA34C2	BHA34D2
	3	72	456	BHA34C3	BHA34D3
	4	72	456	BHA34C4	BHA34D4
	5	72	456	BHA34C5	BHA34D5
	6	72	456	BHA34C6	BHA34D6
	10	72	456	BHA34C10	BHA34D10
	16	72	456	BHA34C16	BHA34D16
	20	72	456	BHA34C20	BHA34D20
	25	72	456	BHA34C25	BHA34D25
	32	72	456	BHA34C32	BHA34D32
	40	72	456	BHA34C40	BHA34D40
	50	72	456	BHA34C50	BHA34D50
63	72	456	BHA34C63	BHA34D63	

BHA系列小型断路器 10kA

适用范围及功能:

适用于民用、工业及商业建筑配电系统
用于保护及控制电路, 避免电气设备及线路受过载和短路故障影响

型号及其含义:

BHA	4	2	C	32
型号	额定短路分断能力 (kA)	极数 (P)	脱扣特性	额定电流In (A)
BHA	230/400V 10	1,2,3,4	C,D	1,2,3,4,5,6,10,16, 20,25,32,40,50,63

符合标准: IEC 60898/GB 10963

技术参数:

额定电压: AC230/400V

额定电流: 1~63A

额定短路分断能力: 10000A

脱扣特性: C型, 瞬时脱扣电流5~10In

D型, 瞬时脱扣电流10~15In

机械寿命: 20,000次

接线能力: 软线 16mm² / 硬线 25 mm²

环境温度: -5℃~+40℃

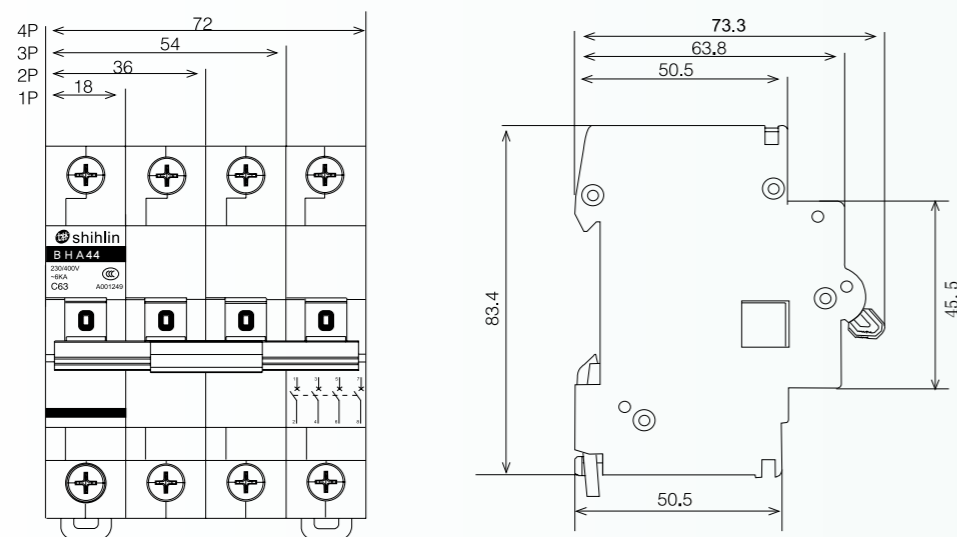
产品特点:

保护功能齐全——具有过载及短路保护装置

功能扩展简便——可与分励脱扣、欠压脱扣、过压脱扣、辅助触点、报警触点等电气附件组合使用, 扩大断路器的控制功能

组合安装简便——模数化结构设计, TH35mm标准安装轨安装, 可免工具安装拆除

外型尺寸:



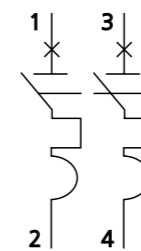
产品型号



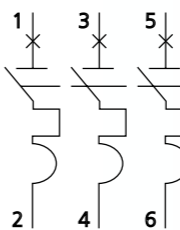
类型	额定电流 A	宽度 mm	重量 g	产品型号	
				C曲线	D曲线
1P	1	18	113	BHA41C1	BHA41D1
	2	18	113	BHA41C2	BHA41D2
	3	18	113	BHA41C3	BHA41D3
	4	18	113	BHA41C4	BHA41D4
	5	18	113	BHA41C5	BHA41D5
	6	18	113	BHA41C6	BHA41D6
	10	18	113	BHA41C10	BHA41D10
	16	18	113	BHA41C16	BHA41D16
	20	18	113	BHA41C20	BHA41D20
	25	18	113	BHA41C25	BHA41D25
	32	18	113	BHA41C32	BHA41D32
	40	18	113	BHA41C40	BHA41D40
	50	18	113	BHA41C50	BHA41D50
63	18	113	BHA41C63	BHA41D63	



2P	1	36	228	BHA42C1	BHA42D1
	2	36	228	BHA42C2	BHA42D2
	3	36	228	BHA42C3	BHA42D3
	4	36	228	BHA42C4	BHA42D4
	5	36	228	BHA42C5	BHA42D5
	6	36	228	BHA42C6	BHA42D6
	10	36	228	BHA42C10	BHA42D10
	16	36	228	BHA42C16	BHA42D16
	20	36	228	BHA42C20	BHA42D20
	25	36	228	BHA42C25	BHA42D25
	32	36	228	BHA42C32	BHA42D32
	40	36	228	BHA42C40	BHA42D40
	50	36	228	BHA42C50	BHA42D50
63	36	228	BHA42C63	BHA42D63	



3P	1	54	341	BHA43C1	BHA43D1
	2	54	341	BHA43C2	BHA43D2
	3	54	341	BHA43C3	BHA43D3
	4	54	341	BHA43C4	BHA43D4
	5	54	341	BHA43C5	BHA43D5
	6	54	341	BHA43C6	BHA43D6
	10	54	341	BHA43C10	BHA43D10
	16	54	341	BHA43C16	BHA43D16
	20	54	341	BHA43C20	BHA43D20
	25	54	341	BHA43C25	BHA43D25
	32	54	341	BHA43C32	BHA43D32
	40	54	341	BHA43C40	BHA43D40
	50	54	341	BHA43C50	BHA43D50
63	54	341	BHA43C63	BHA43D63	



4P	1	72	456	BHA44C1	BHA44D1
	2	72	456	BHA44C2	BHA44D2
	3	72	456	BHA44C3	BHA44D3
	4	72	456	BHA44C4	BHA44D4
	5	72	456	BHA44C5	BHA44D5
	6	72	456	BHA44C6	BHA44D6
	10	72	456	BHA44C10	BHA44D10
	16	72	456	BHA44C16	BHA44D16
	20	72	456	BHA44C20	BHA44D20
	25	72	456	BHA44C25	BHA44D25
	32	72	456	BHA44C32	BHA44D32
	40	72	456	BHA44C40	BHA44D40
	50	72	456	BHA44C50	BHA44D50
63	72	456	BHA44C63	BHA44D63	

